

ANDERSEN CORPORATION

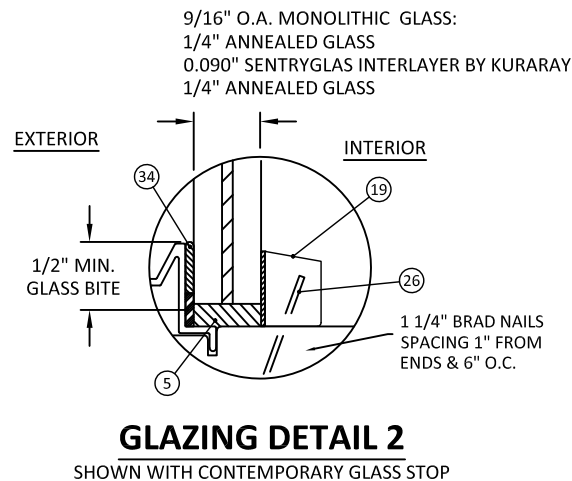
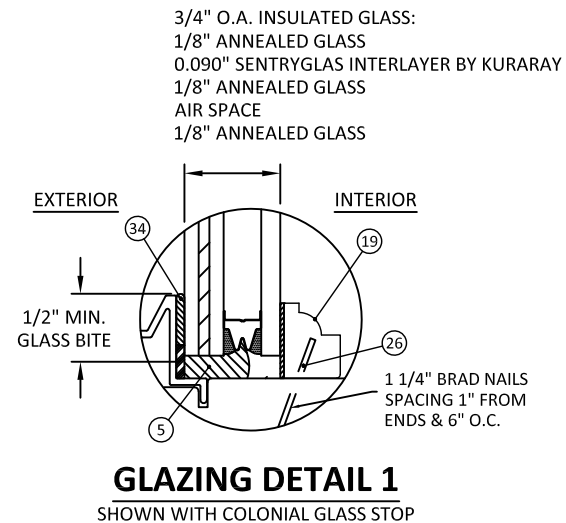
E-SERIES HINGED PATIO DOOR TRANSOM - OUTSWING (HVHZ)(IMPACT)



100 FOURTH AVE NORTH
BAYPORT, MN 55003-1096
PH: (651) 264-5150 FX: (651) 264-5485

GENERAL NOTES:

- THE PRODUCT SHOWN HEREIN IS DESIGNED AND MANUFACTURED TO COMPLY WITH THE CURRENT EDITION FLORIDA BUILDING CODE (FBC), **INCLUDING** HVHZ AND HAS BEEN EVALUATED ACCORDING TO THE FOLLOWING:
 - AAMA/WDMA/CAS 101/I.S.2/A440-17
 - ASTM E1886-19
 - ASTM E1996-20
 - TAS 201-94
 - TAS 202-94
 - TAS 203-94
- ADEQUACY OF THE EXISTING STRUCTURAL CONCRETE/MASONRY, 2X FRAMING, AND METAL FRAMING AS A MAIN WIND FORCE RESISTING SYSTEM CAPABLE OF WITHSTANDING AND TRANSFERRING APPLIED PRODUCT LOADS TO THE FOUNDATION IS THE RESPONSIBILITY OF THE ENGINEER OR ARCHITECT OF RECORD FOR THE PROJECT OF INSTALLATION.
- 1X AND 2X BUCKS (WHEN USED) SHALL BE DESIGNED AND ANCHORED TO PROPERLY TRANSFER ALL LOADS TO THE STRUCTURE. BUCK DESIGN AND INSTALLATION IS THE RESPONSIBILITY OF THE ENGINEER OR ARCHITECT OF RECORD FOR THE PROJECT OF INSTALLATION.
- THE INSTALLATION DETAILS DESCRIBED HEREIN ARE GENERIC AND MAY NOT REFLECT ACTUAL CONDITIONS FOR A SPECIFIC SITE. IF SITE CONDITIONS CAUSE INSTALLATION TO DEVIATE FROM THE REQUIREMENTS DETAILED HEREIN, A LICENSED ENGINEER OR ARCHITECT SHALL PREPARE SITE SPECIFIC DOCUMENTS FOR USE WITH THIS DOCUMENT IN NON-HVHZ AREAS. IN HVHZ AREAS, ONE TIME PRODUCT APPROVAL TO BE OBTAINED FROM MIAMI-DADE RER OR AHJ.
- APPROVED IMPACT PROTECTIVE SYSTEM **IS NOT REQUIRED** ON THIS PRODUCT IN AREAS REQUIRING IMPACT RESISTANCE.
- WINDOW FRAME MATERIAL: ALUMINUM CLAD & WOOD
- GLASS MEETS THE REQUIREMENTS OF ASTM E 1300 GLASS CHARTS. SEE THIS SHEET FOR GLAZING DETAILS.



- GLAZING NOTES:**
- GLASS TYPE COMPLIES WITH ASTM E1300 REQUIREMENTS.
 - SETTING BLOCKS TO BE LOCATED AT 1/4 SPAN LENGTH FOR GLASS WIDER THAN 36" AS PER FBC CHAPTER 24.
 - SETTING BLOCK DUROMETER HARDNESS OF 70-90 (SHORE A) AS REFERENCED IN FBC CHAPTER 24.
 - GLASS TYPE SHALL COMPLY WITH APPLICABLE GLAZING REQUIREMENTS PER CHAPTER 24 OF THE FBC

WINDOW TYPE	OVERALL FRAME SIZE		OVERALL D.L.O. DIMENSION		GLASS TYPE	DESIGN PRESSURE (PSF)	
	WIDTH (IN.)	HEIGHT (IN.)	WIDTH (IN.)	HEIGHT (IN.)		POS.	NEG.
SINGLE	72.0	36.0	64.62	28.75	G1	+65	- 65
SINGLE	72.0	36.0	64.62	28.75	G2	+60	- 65

NOTE:
GLASS STOPS ARE INTERCHANGEABLE.

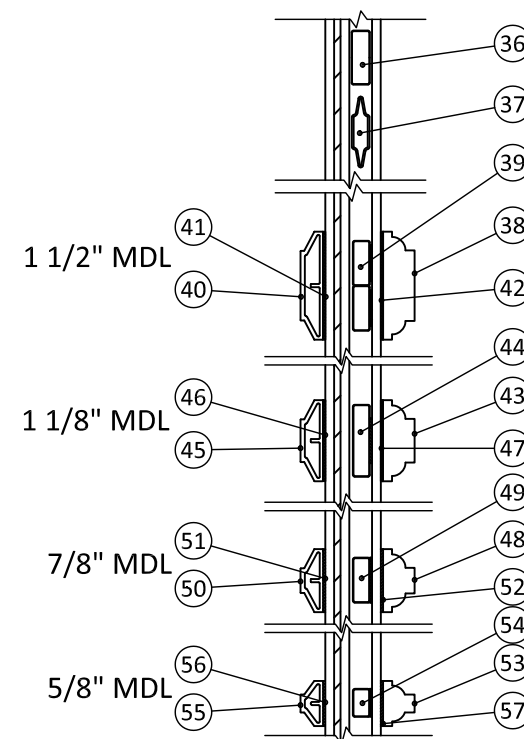


TABLE OF CONTENTS	
SHEET	SHEET DESCRIPTION
1	GENERAL NOTES & GLAZING DETAILS
2	ELEVATIONS & ANCHOR LAYOUTS
3	VERTICAL SECTIONS
4	HORIZONTAL SECTIONS
5	ANCHOR DETAILS & INSTALLATION NOTES
6	COMPONENTS
7	BILL OF MATERIALS

TITLE: E-SERIES HINGED PATIO DOOR TRANSOM - OUTSWING (HVHZ) (IMPACT)

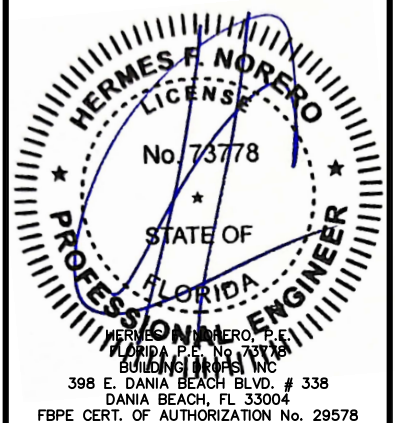
GENERAL NOTES & GLAZING DETAILS

PREPARED BY:
BUILDING DROPS, INC.
398 E. DANIA BEACH BLVD., STE. 338
DANIA BEACH, FL 33004
PH: (954) 399-8478
FAX: (954) 744-4738
WEB: www.buildingdrops.com



REMARKS	BY	DATE
6TH FBC EDITION	FM	10/17
7TH FBC CODE CHANGE	NUS	6.29.20
2023 FBC CODE CHANGE	MS	5/31/23

THE INSTALLATION DETAILS DESCRIBED HEREIN ARE GENERIC AND MAY NOT REFLECT ACTUAL CONDITIONS FOR A SPECIFIC SITE. IF SITE CONDITIONS CAUSE INSTALLATION TO DEVIATE FROM THE REQUIREMENTS DETAILED HEREIN, A LICENSED ENGINEER OR ARCHITECT SHALL PREPARE SITE SPECIFIC DOCUMENTS FOR USE WITH THIS DOCUMENT.



FL #:	FL24230
DATE:	10.16.17
DWG. BY:	RV
CHK. BY:	HFN
SCALE:	NTS
DWG. #:	AWD219
SHEET	1



100 FOURTH AVE NORTH
BAYPORT, MN 55003-1096
PH: (651) 264-5150 FX: (651) 264-5485

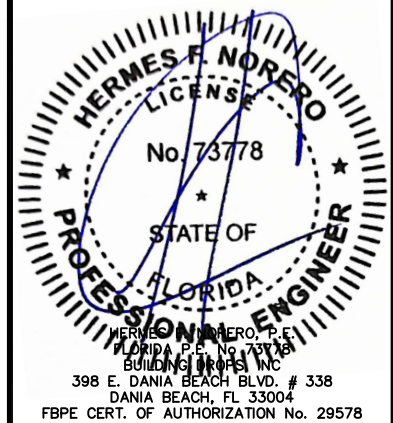
TITLE: E-SERIES HINGED PATIO
DOOR TRANSOM - OUTSWING
(HVHZ) (IMPACT)

ELEVATIONS & ANCHOR LAYOUTS
PREPARED BY:
BUILDING DROPS, INC.
398 E. DANIA BEACH BLVD., STE. 338
DANIA BEACH, FL 33004
PH: (954) 399-8478
FAX: (954) 744-4738
WEB: www.buildingdrops.com



REMARKS	BY	DATE
6TH FBC EDITION	FM	10/17
7TH FBC CODE CHANGE	NUS	6.29.20
2023 FBC CODE CHANGE	MS	5/31/23

THE INSTALLATION DETAILS DESCRIBED HEREIN ARE GENERIC AND MAY NOT REFLECT ACTUAL CONDITIONS FOR A SPECIFIC SITE. IF SITE CONDITIONS CAUSE INSTALLATION TO DEVIATE FROM THE REQUIREMENTS DETAILED HEREIN, A LICENSED ENGINEER OR ARCHITECT SHALL PREPARE SITE SPECIFIC DOCUMENTS FOR USE WITH THIS DOCUMENT.



FL #: **FL24230**

DATE: **10.16.17**

DWG. BY: **RV** CHK. BY: **HFN**

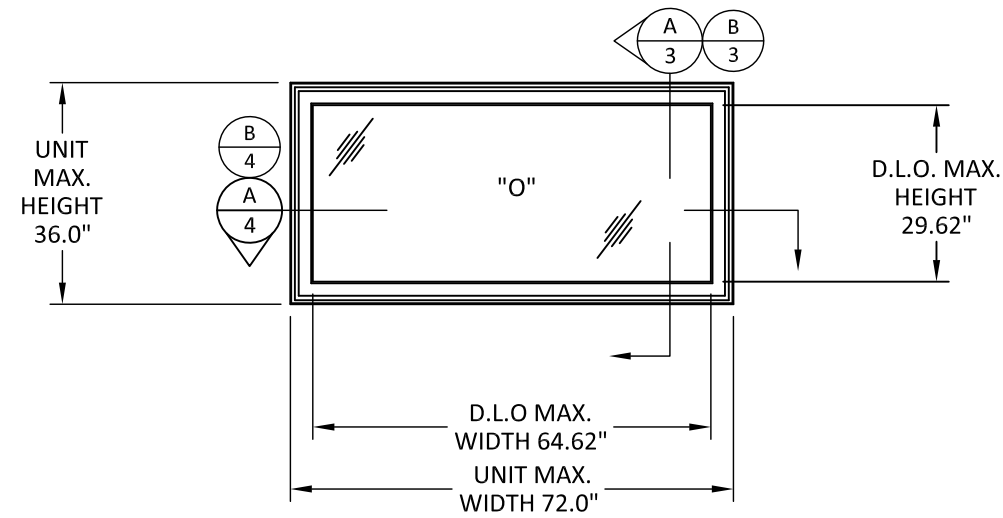
SCALE: **NTS**

DWG. #: **AWD219**

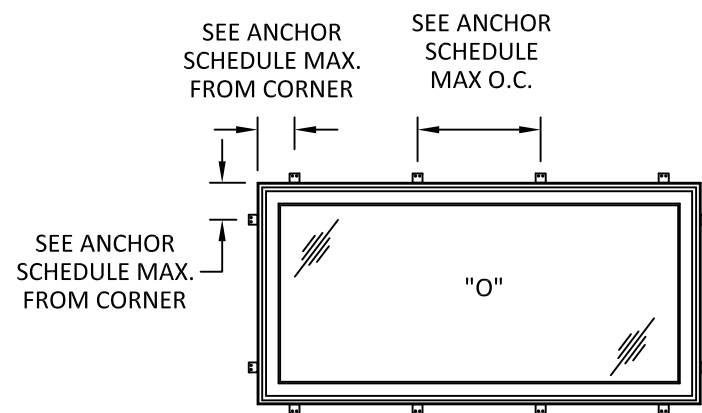
SHEET

2

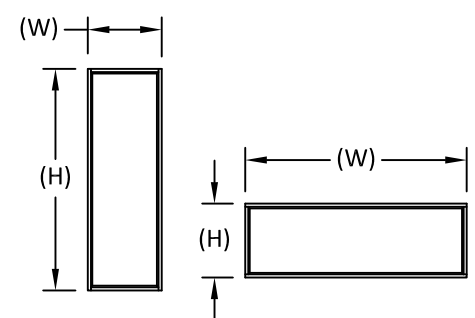
OF 7



ELEVATION



ANCHOR LAYOUT THROUGH FRAME



NOTE:
WINDOW WIDTH (W) AND HEIGHT (H) ARE INTERCHANGEABLE FOR ALL SIZES SHOWN HEREIN NOT TO EXCEED MAXIMUM TESTED SQUARE FOOT AREA. ANCHOR SPACING SHALL NOT EXCEED THOSE SHOWN FOR LONG OR SHORT LEG OF UNIT.

NOTE :
FOR MORE ANCHOR INFORMATION (INSTALLATION TYPE, SPACING, QUANTITY, ANCHOR TYPE, QUALIFIED SUBSTRATES) SEE SHEET 5

7/20/2023 2:38 PM s:\projects\andersen_windows\cc-23-0406 - fbc 2023 code change (8th edition)\124230\dwgs\awd219 - e-series hinged patio door transom - outswing (hvz)(impact).dwg



100 FOURTH AVE NORTH
BAYPORT, MN 55003-1096
PH: (651) 264-5150 FX: (651) 264-5485

TITLE: E-SERIES HINGED PATIO
DOOR TRANSOM - OUTSWING
(HVHZ) (IMPACT)

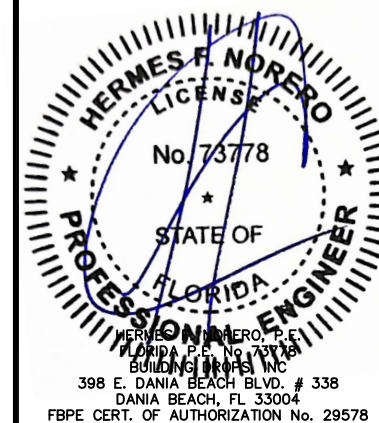
VERTICAL SECTIONS

PREPARED BY:
BUILDING DROPS, INC.
398 E. DANIA BEACH BLVD., STE. 338
DANIA BEACH, FL 33004
PH: (954) 399-8478
FAX: (954) 744-4738
WEB: www.buildingdrops.com



REMARKS	BY	DATE
6TH FBC EDITION	FM	10/17
7TH FBC CODE CHANGE	NUS	6.29.20
2023 FBC CODE CHANGE	MS	5/31/23

THE INSTALLATION DETAILS DESCRIBED HEREIN ARE GENERIC AND MAY NOT REFLECT ACTUAL CONDITIONS FOR A SPECIFIC SITE. IF SITE CONDITIONS CAUSE INSTALLATION TO DEVIATE FROM THE REQUIREMENTS DETAILED HEREIN, A LICENSED ENGINEER OR ARCHITECT SHALL PREPARE SITE SPECIFIC DOCUMENTS FOR USE WITH THIS DOCUMENT.



FL #: **FL24230**

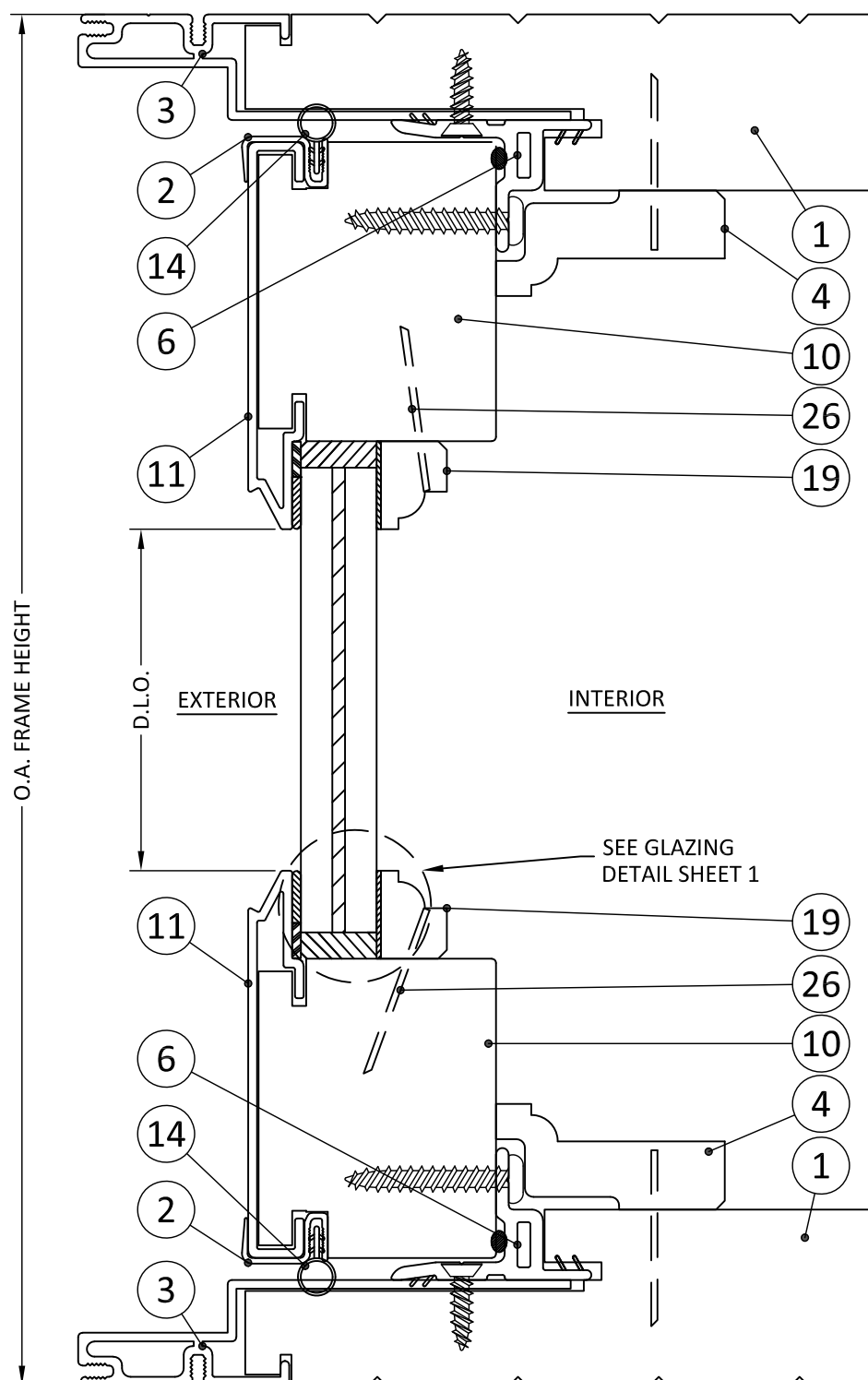
DATE: **10.16.17**

DWG. BY: **RV** CHK. BY: **HFN**

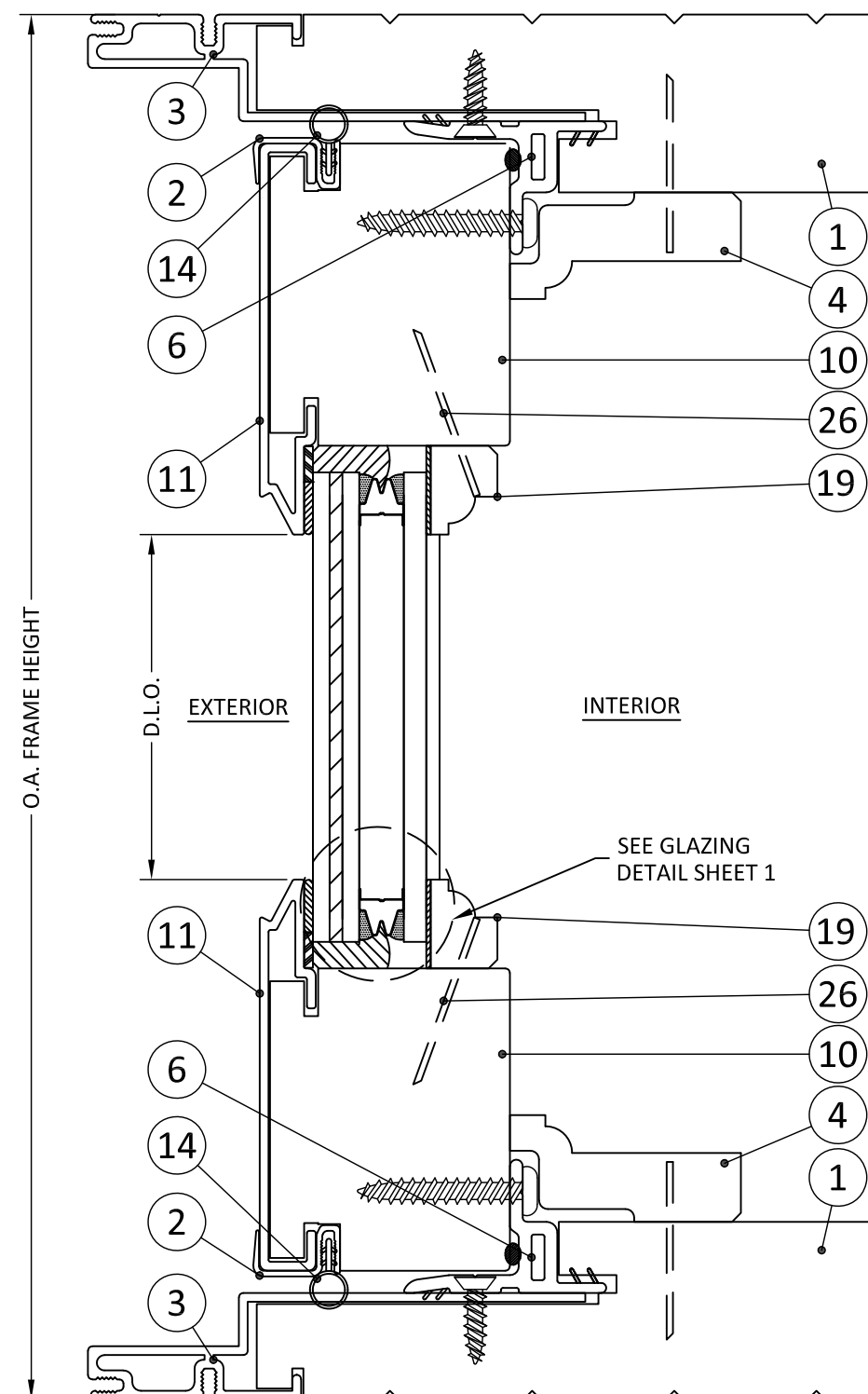
SCALE: **NTS**

DWG. #: **AWD219**

SHEET
3



A
3 VERTICAL SECTION
MONOLITHIC LAMINATED GLASS



B
3 VERTICAL SECTION
INSULATED GLASS

7/20/2023 2:38 PM s:\projects\andersen_windows\cc-23-0406 - fbc 2023 code change (8th edition)\124230\dwgs\awd219 - e-series hinged patio door transom - outswing (hvz)(impact).dwg



100 FOURTH AVE NORTH
BAYPORT, MN 55003-1096
PH: (651) 264-5150 FX: (651) 264-5485

TITLE: E-SERIES HINGED PATIO
DOOR TRANSOM - OUTSWING
(HVHZ) (IMPACT)

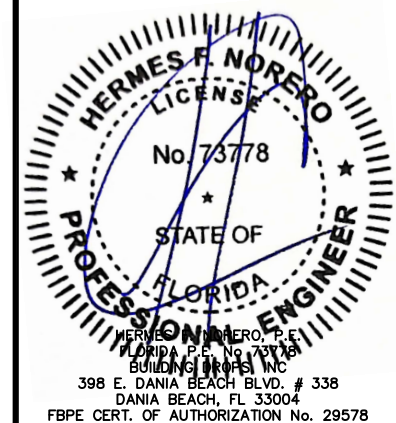
HORIZONTAL SECTIONS

PREPARED BY:
BUILDING DROPS, INC.
398 E. DANIA BEACH BLVD., STE. 338
DANIA BEACH, FL 33004
PH: (954) 399-8478
FAX: (954) 744-4738
WEB: www.buildingdrops.com



REMARKS	BY	DATE
6TH FBC EDITION	FM	10/17
7TH FBC CODE CHANGE	NUS	6.29.20
2023 FBC CODE CHANGE	MS	5/31/23

THE INSTALLATION DETAILS DESCRIBED HEREIN ARE GENERIC AND MAY NOT REFLECT ACTUAL CONDITIONS FOR A SPECIFIC SITE. IF SITE CONDITIONS CAUSE INSTALLATION TO DEVIATE FROM THE REQUIREMENTS DETAILED HEREIN, A LICENSED ENGINEER OR ARCHITECT SHALL PREPARE SITE SPECIFIC DOCUMENTS FOR USE WITH THIS DOCUMENT.



FL #: **FL24230**

DATE: **10.16.17**

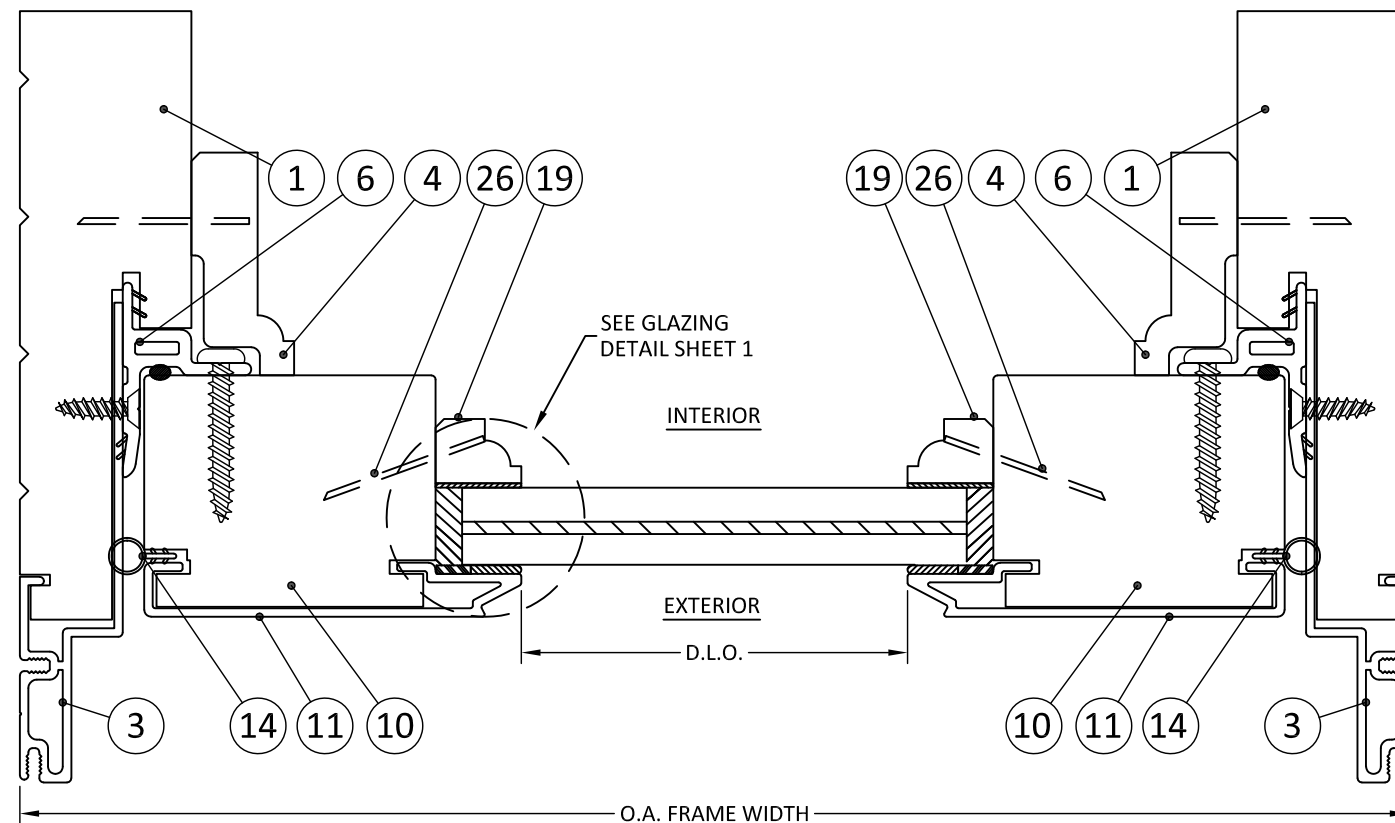
DWG. BY: **RV** CHK. BY: **HFN**

SCALE: **NTS**

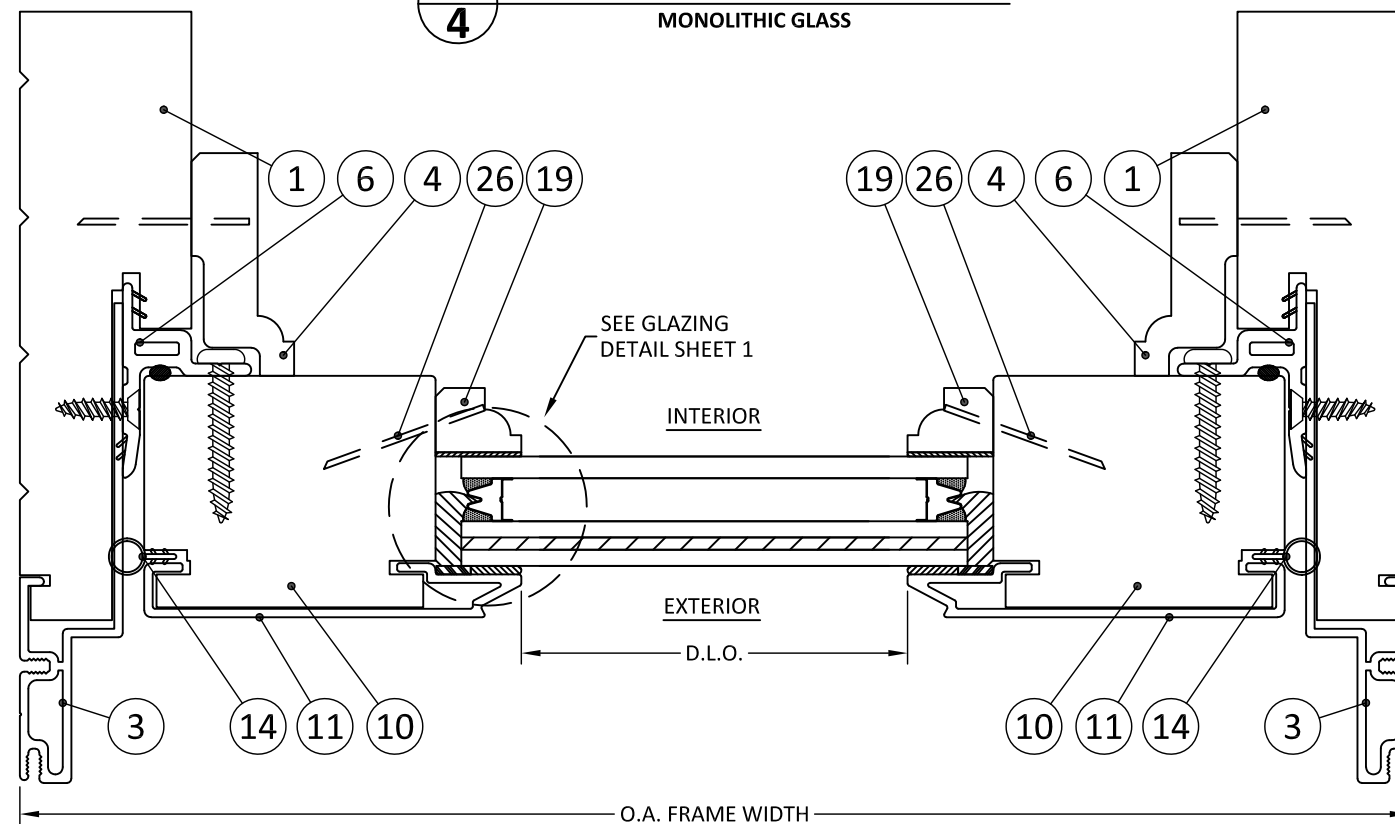
DWG. #: **AWD219**

SHEET

4

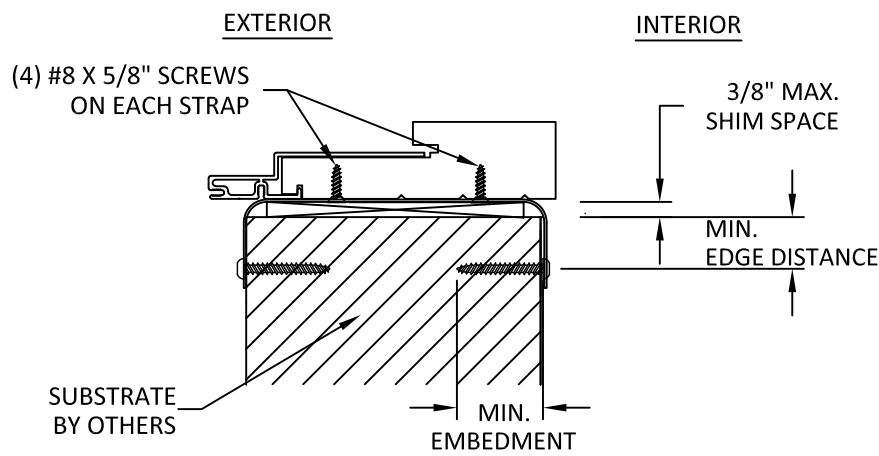


A
4 HORIZONTAL SECTION
MONOLITHIC GLASS

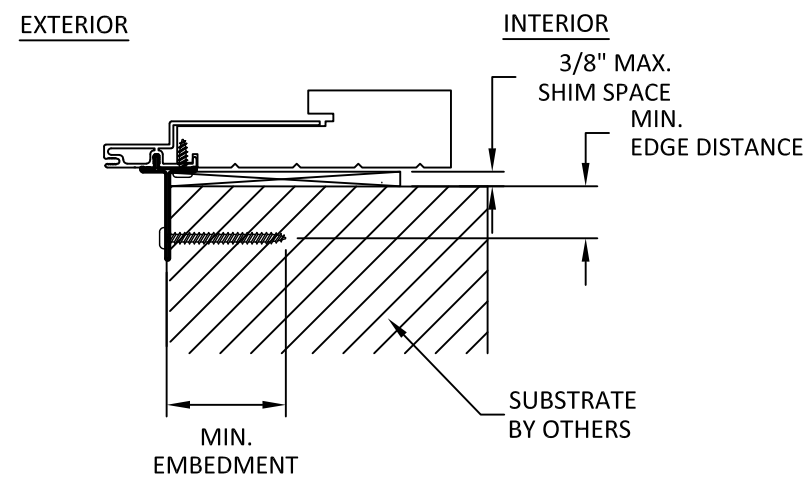


B
4 HORIZONTAL SECTION
INSULATED GLASS

7/20/2023 2:38 PM
s:\projects\andersen\windows\cc-23-0406-fbc-2023 code change (8th edition)\024230\dwgs\awd219-e-series hinged patio door-transom-outswing (hvhz)(impact).dwg

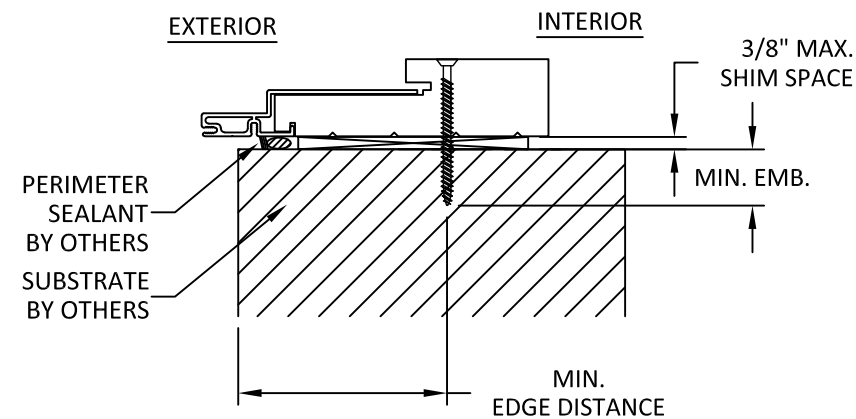


A
5 **ANCHOR DETAIL**
STRAP ANCHOR (SILL)



B
5 **ANCHOR DETAIL**
NAIL FIN (SILL)

-HEAD, SILL AND JAMB HAVE SIMILAR DETAILS



C
5 **ANCHOR DETAIL**
THROUGH FRAME (SILL)

INSTALLATION NOTES:

- ONE (1) INSTALLATION ANCHOR IS REQUIRED AT EACH ANCHOR LOCATION SHOWN.
- THE NUMBER OF INSTALLATION ANCHORS DEPICTED IS THE MINIMUM NUMBER OF ANCHORS TO BE USED FOR PRODUCT INSTALLATION OF THE MAXIMUM SIZE LISTED.
- INSTALL INDIVIDUAL INSTALLATION ANCHORS WITHIN A TOLERANCE OF ±1.000 INCH THE DEPICTED LOCATION & SPACING IN THE ANCHOR LAYOUT DETAILS (I.E., WITHOUT CONSIDERATION OF TOLERANCES). TOLERANCES ARE NOT CUMULATIVE FROM ONE INSTALLATION ANCHOR TO THE NEXT.
- SHIM AS REQUIRED AT EACH INSTALLATION ANCHOR WITH LOAD BEARING SHIM(S). MAXIMUM ALLOWABLE SHIM STACK TO BE 3/8 INCH. SHIM WHERE SPACE OF 1/16 INCH OR GREATER OCCURS. SHIM(S) SHALL BE CONSTRUCTED OF HIGH DENSITY PLASTIC OR BETTER.
- MINIMUM EMBEDMENT AND EDGE DISTANCE EXCLUDE WALL FINISHES, INCLUDING BUT NOT LIMITED TO STUCCO, FOAM, BRICK VENEER, AND SIDING.
- INSTALLATION ANCHORS AND ASSOCIATED HARDWARE MUST BE MADE OF CORROSION RESISTANT MATERIAL OR HAVE A CORROSION RESISTANT COATING.
- FOR MASONRY OR CONCRETE OPENINGS, A 1X WOOD BUCK MAY BE USED (OPTIONAL) AS LONG AS THE MINIMUM EMBEDMENT AND EDGE DISTANCE REQUIREMENTS ARE STILL MET WITHIN THE CORRESPONDING HOST SUBSTRATE. SEE GENERAL NOTE #3 ON SHEET 1 FOR MORE INFORMATION.
- FOR HOLLOW BLOCK AND GROUT FILLED BLOCK, DO NOT INSTALL INSTALLATION ANCHORS INTO MORTAR JOINTS. EDGE DISTANCE IS MEASURED FROM FREE EDGE OF BLOCK OR EDGE OF MORTAR JOINT INTO FACE SHELL OF BLOCK.
- INSTALLATION ANCHORS SHALL BE INSTALLED IN ACCORDANCE WITH ANCHOR MANUFACTURER'S INSTALLATION INSTRUCTIONS, AND ANCHORS SHALL NOT BE USED IN SUBSTRATES WITH STRENGTHS LESS THAN THE MINIMUM STRENGTH SPECIFIED BY THE ANCHOR MANUFACTURER.

ANCHOR SCHEDULE

INSTALLATION TYPE	ANCHOR QTY PER LOCATION	SUBSTRATE	ANCHOR TYPE	EMBEDMENT (IN.)	EDGE DISTANCE (IN.)	MAX. HEAD/SILL O.C. DISTANCE (IN.)	MAX. JAMB O.C. DISTANCE (IN.)	MAX. CORNER DISTANCE (IN.)
THRU STRAP	2	WOOD : MIN. SG=0.55	#8 WOOD SCREW	1.5	0.75	12	12	6
	2	METAL : 20 GAUGE STEEL, MIN. F _y =33KSI	#10 TEK SCREW	3 THREADS MIN PENETRATION	0.5			
THRU FRAME	1	WOOD : MIN. SG=0.55	#10 WOOD SCREW	0.75	0.75	12	12	6
	1	METAL : 20 GAUGE STEEL, MIN. F _y =33KSI	#10 TEK SCREW	3 THREADS MIN PENETRATION	0.5			
	1	CONCRETE : f' _c =3000PSI	1/4" ITW TAPCON	1	2.5			
THRU NAIL FIN	1	WOOD : MIN. SG=0.55	#8 WOOD SCREW	0.75	0.75	6	6	3
	1	METAL : 20 GAUGE STEEL, MIN. F _y =33KSI	#10 TEK SCREW	3 THREADS MIN PENETRATION	0.5			



100 FOURTH AVE NORTH
BAYPORT, MN 55003-1096
PH: (651) 264-5150 FX: (651) 264-5485

TITLE: E-SERIES HINGED PATIO
DOOR TRANSOM - OUTSWING
(HVHZ) (IMPACT)

ANCHOR DETAILS & INSTALLATION NOTES

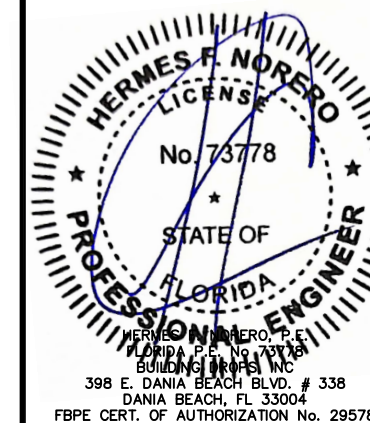
PREPARED BY:

BUILDING DROPS, INC.
398 E. DANIA BEACH BLVD., STE. 338
DANIA BEACH, FL 33004
PH: (954) 399-8478
FAX: (954) 744-4738
WEB: www.buildingdrops.com



REMARKS	BY	DATE
6TH FBC EDITION	FM	10/17
7TH FBC CODE CHANGE	NUS	6.29.20
2023 FBC CODE CHANGE	MS	5/31/23

THE INSTALLATION DETAILS DESCRIBED HEREIN ARE GENERIC AND MAY NOT REFLECT ACTUAL CONDITIONS FOR A SPECIFIC SITE. IF SITE CONDITIONS CAUSE INSTALLATION TO DEVIATE FROM THE REQUIREMENTS DETAILED HEREIN, A LICENSED ENGINEER OR ARCHITECT SHALL PREPARE SITE SPECIFIC DOCUMENTS FOR USE WITH THIS DOCUMENT.



FL #: **FL24230**

DATE: **10.16.17**

DWG. BY: **RV** CHK. BY: **HFN**

SCALE: **NTS**

DWG. #: **AWD219**

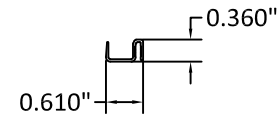
SHEET

5

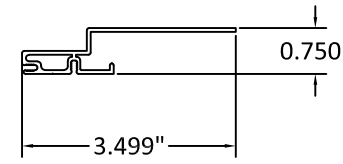
1 FRAME



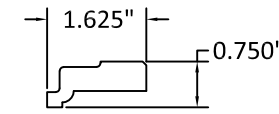
2 PANEL CAP



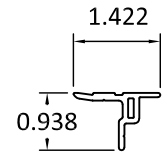
3 HEAD, SILL & JAMB CLADDING



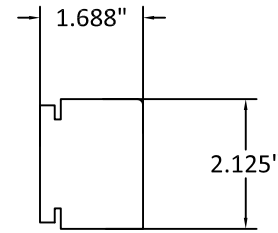
4 PANEL STOP



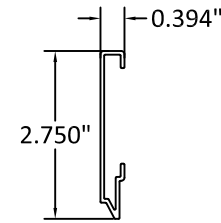
6 PANEL SHIM



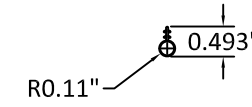
10 TOP RAIL & STILE



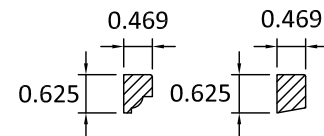
11 TOP RAIL CLADDING



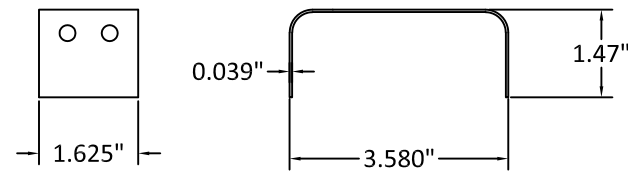
14 ARLOC BULB WEATHERSTRIP



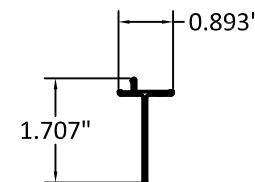
19 GLAZING STOP



33 STRAP ANCHOR



70 NAIL FIN



100 FOURTH AVE NORTH
BAYPORT, MN 55003-1096
PH: (651) 264-5150 FX: (651) 264-5485

TITLE: E-SERIES HINGED PATIO
DOOR TRANSOM - OUTSWING
(HVVHZ) (IMPACT)

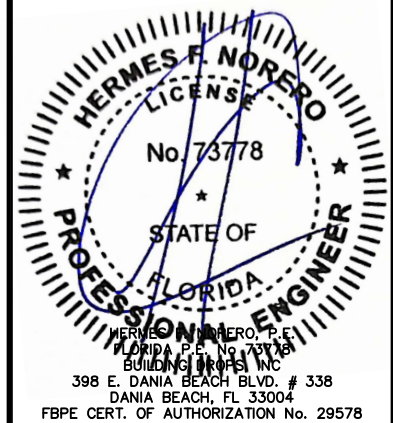
COMPONENTS

PREPARED BY:
BUILDING DROPS, INC.
398 E. DANIA BEACH BLVD., STE. 338
DANIA BEACH, FL 33004
PH: (954) 399-8478
FAX: (954) 744-4738
WEB: www.buildingdrops.com



REMARKS	BY	DATE
6TH FBC EDITION	FM	10/17
7TH FBC CODE CHANGE	NUS	6.29.20
2023 FBC CODE CHANGE	MS	5/31/23

THE INSTALLATION DETAILS DESCRIBED HEREIN ARE GENERIC AND MAY NOT REFLECT ACTUAL CONDITIONS FOR A SPECIFIC SITE. IF SITE CONDITIONS CAUSE INSTALLATION TO DEVIATE FROM THE REQUIREMENTS DETAILED HEREIN, A LICENSED ENGINEER OR ARCHITECT SHALL PREPARE SITE SPECIFIC DOCUMENTS FOR USE WITH THIS DOCUMENT.



FL #: **FL24230**

DATE: **10.16.17**

DWG. BY: **RV** CHK. BY: **HFN**

SCALE: **NTS**

DWG. #: **AWD219**

SHEET **6**

BILL OF MATERIALS

NO.	PART NUMBER	DESCRIPTION	MATERIAL
1	-	FRAME	WOOD
2	-	PANEL CAP	-
3	-	4-9/16" CLADDING	ALUM.
4	-	PANEL STOP	WOOD
5	-	SILICONE SEALANT	SEALANT
6	-	PANEL SHIM	PVC
10	-	2-3/4" RAIL & STILE	WOOD
11	-	2-3/4" RAIL CLADDING	ALUM.
15	-	4-9/16" WALL TRANSOM SILL	ALUM.
19	-	GLAZING STOP	WOOD
26	-	1-1/4" 18 GA.HARD STL BRAD	-
27	-	ADHESIVE TAPE	POLYETHYLENE
28	-	GLASS SETTING BLOCK	-
33	-	STRAP ANCHOR	STEEL
34	-	SILICONE SEALANT	SILICONE
36	-	5/8" BETWEEN GLASS MUNTIN	ALUM.
37	-	1" CONTOUR MUNTIN	ALUM.
38	-	1-1/2" INTERIOR COLONIAL MDL BAR	WOOD
39	-	SPACER CHANNEL	ALUM.
40	-	1-1/2" EXTERIOR MDL BAR	ALUM.
41	-	1-1/2" MDL ADHESIVE TAPE (EXTERIOR)	POLYETHYLENE
42	-	1-1/2" MDL ADHESIVE TAPE (INTERIOR)	POLYETHYLENE
43	-	1-1/8" INTERIOR COLONIAL MDL BAR	WOOD
44	-	SPACER CHANNEL	ALUM.
45	-	1-1/8" EXTERIOR MDL BAR	ALUM.
46	-	1-1/8" MDL ADHESIVE TAPE (EXTERIOR)	POLYETHYLENE
47	-	1-1/8" MDL ADHESIVE TAPE (INTERIOR)	POLYETHYLENE
48	-	7/8" INTERIOR COLONIAL MDL BAR	WOOD
49	-	SPACER CHANNEL	ALUM.
50	-	7/8" EXTERIOR MDL BAR	ALUM.
51	-	7/8" MDL ADHESIVE TAPE (EXTERIOR)	POLYETHYLENE
52	-	7/8" MDL ADHESIVE TAPE (INTERIOR)	POLYETHYLENE
53	-	5/8" INTERIOR COLONIAL MDL BAR	WOOD
54	-	SPACER CHANNEL	ALUM.

BILL OF MATERIALS

NO.	PART NUMBER	DESCRIPTION	MATERIAL
55	-	5/8" EXTERIOR MDL BAR	ALUM.
56	-	5/8" MDL ADHESIVE TAPE (EXTERIOR)	POLYETHYLENE
57	-	5/8" MDL ADHESIVE TAPE (INTERIOR)	POLYETHYLENE
70	-	NAIL FIN	ALUM.
72	-	#8 X 1/2" PPH TEK SCREW	STEEL



100 FOURTH AVE NORTH
BAYPORT, MN 55003-1096
PH: (651) 264-5150 FX: (651) 264-5485

TITLE: E-SERIES HINGED PATIO
DOOR TRANSOM - OUTSWING
(HVHZ) (IMPACT)

BILL OF MATERIALS

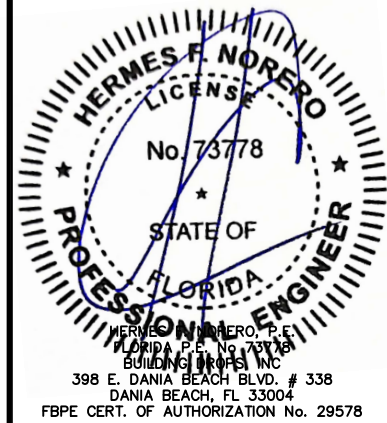
PREPARED BY:

BUILDING DROPS, INC.
398 E. DANIA BEACH BLVD., STE. 338
DANIA BEACH, FL 33004
PH: (954)399-8478
FAX: (954)744-4738
WEB: www.buildingdrops.com



REMARKS	BY	DATE
6TH FBC EDITION	FM	10/17
7TH FBC CODE CHANGE	NUS	6.29.20
2023 FBC CODE CHANGE	MS	5/31/23

THE INSTALLATION DETAILS DESCRIBED HEREIN ARE GENERIC AND MAY NOT REFLECT ACTUAL CONDITIONS FOR A SPECIFIC SITE. IF SITE CONDITIONS CAUSE INSTALLATION TO DEVIATE FROM THE REQUIREMENTS DETAILED HEREIN, A LICENSED ENGINEER OR ARCHITECT SHALL PREPARE SITE SPECIFIC DOCUMENTS FOR USE WITH THIS DOCUMENT.



FL #:	FL24230
DATE:	10.16.17
DWG. BY:	RV
CHK. BY:	HFN
SCALE:	NTS
DWG. #:	AWD219

SHEET 7 OF 7

7/20/2023 2:38 PM s:\projects\andersen windows\cc-23-0406 - fbc 2023 code change (8th edition)\124230\dwgs\awd219 - e-series hinged patio door transom - outswing (hvz)(impact).dwg